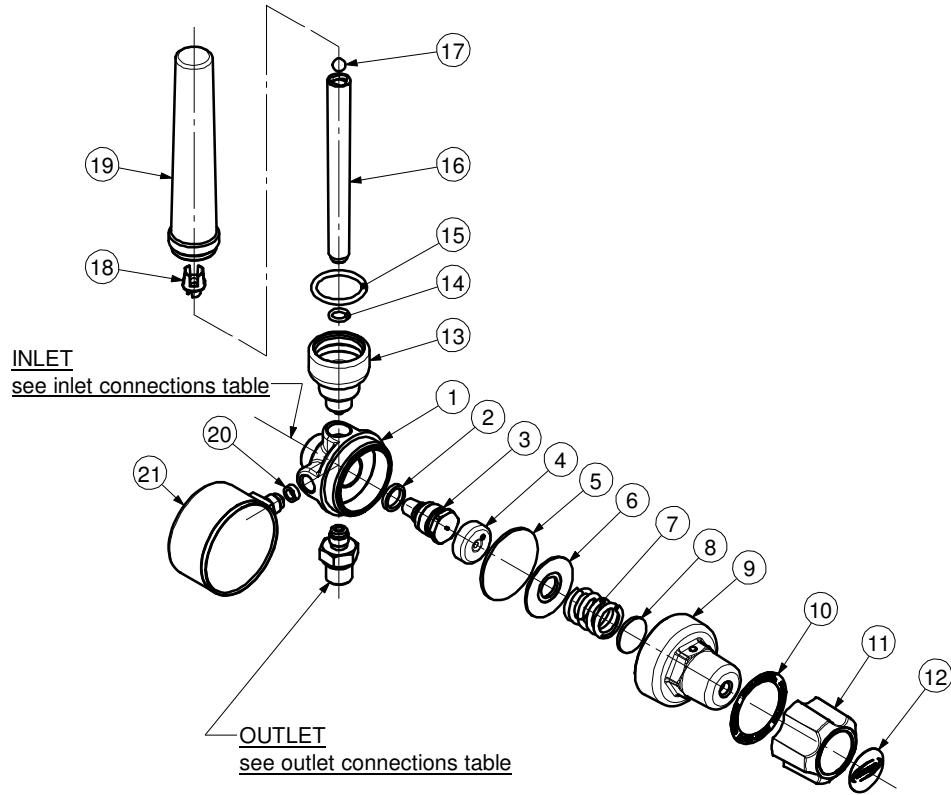




FLOWMETER REGULATORS
-MODEL 351-30L



ITEM	PART No.	Qty	DESCRIPTION	ITEM	PART No.	Qty	DESCRIPTION
1	6011022	1	Body	12	60165C	1	Knob label
2	89539	1	Gasket	13	9001876	1	Adaptor
3	9100843	1	Valve	14	215X715052A	1	O-Ring
4	60133	1	Disc	15	215X71118A	1	O-Ring
5	60132	1	Diaphragm	16	9105509	1	Tube
6	60133A	1	Diaphragm disc	17	9002370	1	Ball
7	601852	1	Spring	18	86060	1	Bumper
8	92643	1	Pivot	19	86029	1	Cover
9	60111	1	Bonnet	20	60139	1	Gasket
10	According to country	1	Nameplate	21	8E6011	1	H.P. Gauge
11	601282	1	Knob				

SERVICE NOTES

ITEM No.	TORQUE SPECIFICATION	SERVICE TOOL OR NOTES
3	25 - 35 Nm	16mm hex socket wrench
9	35 - 55 Nm	26mm hex wrench
11		Lube with Fomblin RT 15 or Krytox GPL 226 Grease
21	7 - 30 Nm	14mm open end wrench
Outlet	20 - 30 Nm	Wrench hex varies
Inlet	30 - 50 Nm	Wrench hex varies - Dry joint

IMPORTANT: All repairs or conversions should be carried out by a qualified repairer, with genuine HARRIS parts, to HARRIS repair specifications, and in accordance with local laws or regulations. No contaminant (grease, oil, others) to come in contact with oxygen.