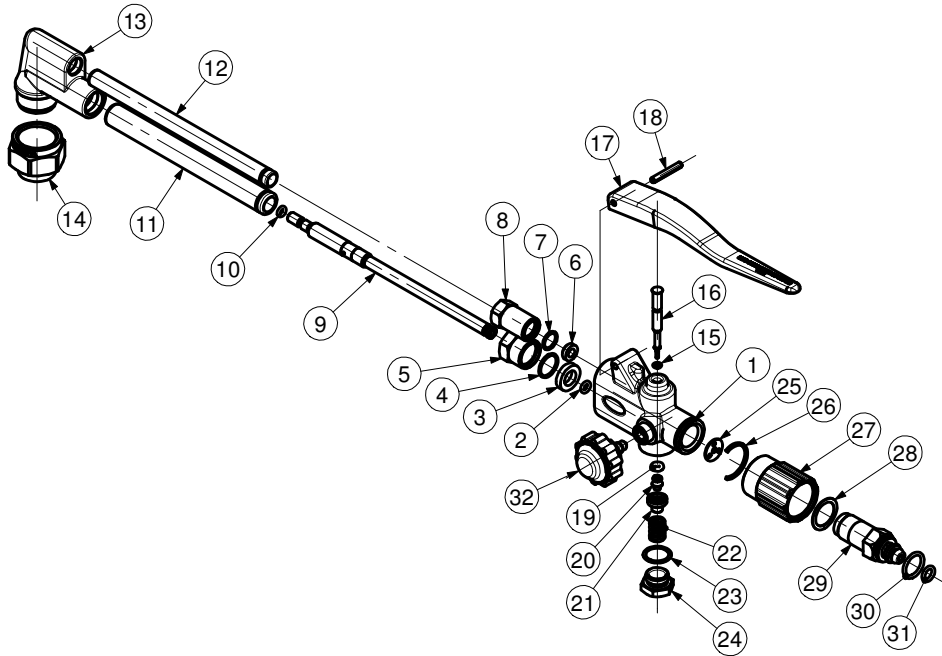




CUTTING ATTACHMENT MODEL VH24



ITEM	PART No.	Qty	DESCRIPTION	ITEM	PART No.	Qty	DESCRIPTION
1	VH2410PS	1	Body	17	9002924	1	Lever
2	215X717A	1	O-ring	18	50613	1	Pin
3	VH24392	1	Gasket	19	9003144	1	O-ring
4	VH24712	1	Retaining ring	20	9003143	1	Valve, EASE-ON
5	VH24592	1	Nut	21	9003142	1	Guide
6	VH2439	1	Gasket	22	7385	1	Spring
7	VH2471	1	Retaining ring	23	7339	1	Gasket
8	VH2459	1	Nut	24	7319	1	Cap
9	VH2458PS	1	Mixer	25	7939	1	Gasket
10	9001824	1	O-ring	26	7371	1	Retaining ring
11	VH2492	1	Tube	27	9005211	1	Nut
12	VH24922	1	Tube	28	7296	1	Washer
13	VH2444PS	1	Head + tip nut	29	9005212	1	Stem
14	9005236	1	Nut	30	215X7114A	1	O-ring
15	215X715178A	1	O-ring	31	215X7110A	1	O-ring
16	VH2466	1	Plunger	32	9105204	1	Valve

SERVICE NOTES

ITEM No.	TORQUE SPECIFICATION	SERVICE TOOL OR NOTES
1		RT725 - .560"-36-UNS-3B-RH - Tap for body inlet threads
		53T3 - 1/4"-32-UNEF-3B-RH - Tap for needle valve threads
		53T1 - To reseal needle valve seat
		12T6 - 7/16"-27-UNS-3A-RH - Die for needle valve threads
		T7310 - To reseal H.P. valve seat
		56T6 - 1/2"-27-UNS-3B-RH - Tap for cap valve threads
2		Use Molykote M-55
5	8 Nm	17mm open end wrench
8	3 Nm	14mm open end wrench
10		Use Molykote M-55
13		62T2A - 7/8"-20-UNEF-2A-RH - Die for tip nut threads
		TI7244HV - To reseal tip seat
14		28mm open end wrench
15 - 19		Use Molykote M-55
24	9-11 Nm	16mm open end wrench
29	27 Nm	72T4 - To remove and fit connector stem
32	6 Nm	14mm open end wrench - Use Molykote M-55

IMPORTANT:

All repairs or conversions should be carried out by a qualified repairer, with genuine HARRIS parts, to HARRIS repair specifications, and in accordance with local laws or regulations. No contaminant (grease, oil, others) to come in contact with oxygen.

TAB.VH24-000